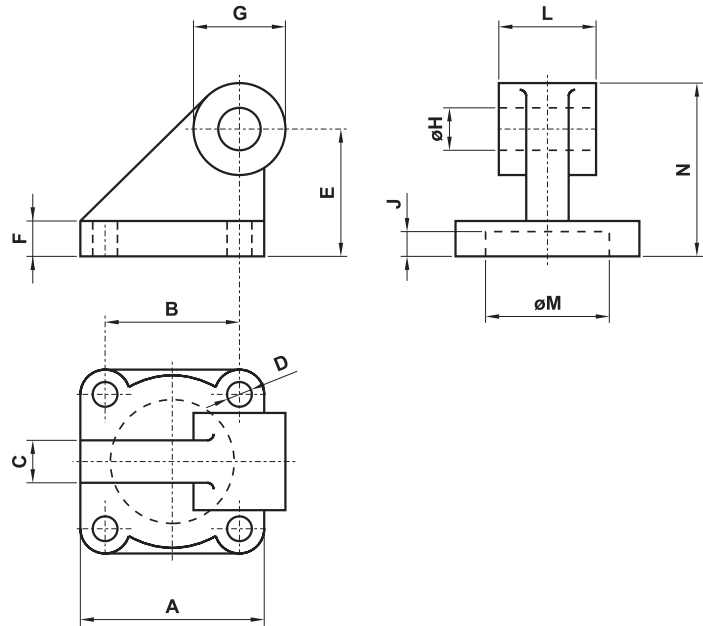


CM SERIES

Pneumatic Cylinder Mountings
TO SUIT C1 SERIES ISO 6431 / VDMA 24562

CM



CM-19 Hinge 90 degree

CODE	BORE	A	B	C	D	E	F	G	H	J	L	M	N
CM-19032	32	45	32.5	10	7	32	10	22	10	7	25.5	30	43
CM-19040	40	52	38	12	7	36	10	26	12	7	27.5	35	49
CM-19050	50	65	46.5	12	9	45	12	26	12	7	31.5	40	58
CM-19063	63	75	56.5	15	9	50	12	34	16	7	39.5	45	67
CM-19080	80	95	72	15	11	63	16	34	16	9	49.5	45	80
CM-19100	100	115	89	22	11	73	16	42	20	9	59.5	55	94