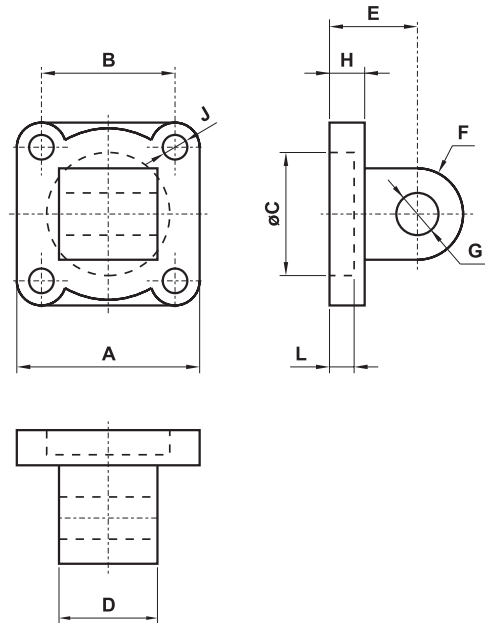


CM SERIES

Pneumatic Cylinder Mountings
TO SUIT C1 SERIES ISO 6431 / VDMA 24562

CM



CM-11 Rear Male Clevis (No Pin)

CODE	BORE	A	B	C	D	E	F	G	H	J	L
CM-11032	32	45	32.5	30	26	22	11	10	10	7	7
CM-11040	40	52	38	35	28	25	13	12	10	7	7
CM-11050	50	65	46.5	40	32	27	13	12	12	9	7
CM-11063	63	75	56.5	45	40	32	17	16	12	9	7
CM-11080	80	95	72	45	50	36	17	16	16	11	9
CM-11100	100	115	89	55	60	41	21	20	16	11	9
CM-11125	125	140	110	60	70	50	26	25	20	14	9
CM-11160	160	180	140	65	90	55	31	30	20	18	9
CM-11200	200	220	175	75	90	60	31	30	25	18	11